



Date		Type	
Project			
Location			
Model#		Quantity	
Specifier			

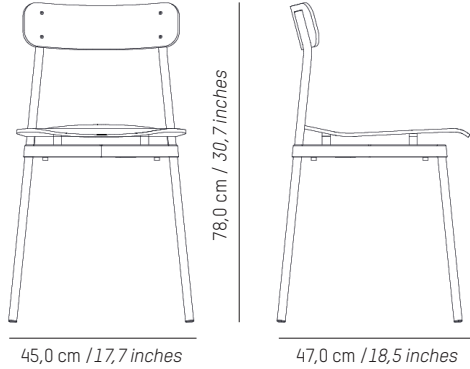
FROMME WOOD CHAIR

DESIGNER : TOM CHUNG

YEAR : 2023

2 YEARS WARRANTY

MATERIAL: ALUMINIUM, STAINED BEECH WOOD, ALPI VENEER, LEATHER, FABRIC




The Fromme family is growing with a much-awaited wooden version that boasts far more opportunities for indoor use. The combined warmth of wood, fabric and leather now features on the Fromme chair's minimalist, streamlined design.


sottsass alpi), materials (wood, fabric, leather), and functions (chair, bar stool, and lounge chair) Can be combined with the original aluminium Fromme for a mix of colours and functions True to the original features that make it ideal for a contract project: stackable and easy to store. Customisable fabric colours with a minimum quantity requirement.


Countless possibilities for retail and contracting. A well-conceived range of colours (versatile black, sophisticated burgundy, and prestigious


MAIN SPECIFICATIONS


COLOUR EAN REFERENCE

 Black
3701128123066
M0820101

 Red Brown
3701128123073
M0820102

 Black Alpi
3701128123080
M0820103

 Black Leather
3701128123165
M0820105

 Black Rohi fabric
3701128123158
M0820104

PHYSICAL

MEASURES

Lenght 47,0 cm / 18,5 inches **Seat height** 45,0 cm / 17,7 inches

Width 45,0 cm / 17,7 inches **Height** 78,0 cm / 30,7 inches

Weight Wood: 3,7 kg / 8,0 lbs Upholstery: 3,9 kg / 8,6 lbs

PARCEL LOGISTICS

Box 1/1 49,0 x 49,0 x 81,0 cm
19,3 x 19,3 x 31,9 inches
Wood: 5,2 kg / 11,5 lbs
Upholstery: 5,4 kg / 11,8 lbs

TESTS & CERTIFICATIONS

Certified for collective indoor use in accordance with European standard EN16139 up to 110 kg. Stackable up to 6.



Date		Type	
Project			
Location			
Model#		Quantity	
Specifier			

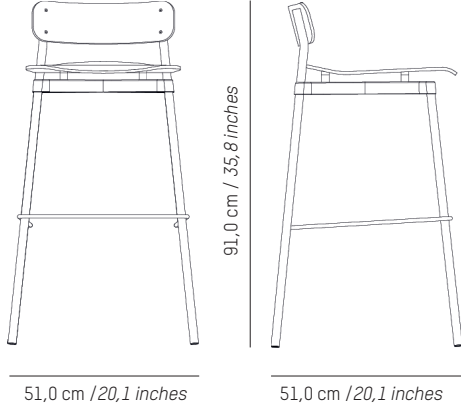
FROMME WOOD HIGHSTOOL H75

DESIGNER : TOM CHUNG

YEAR : 2023

2 YEARS WARRANTY

MATERIAL: ALUMINIUM, STAINED BEECH WOOD, ALPI VENEER, LEATHER, FABRIC





The Fromme family is growing with a much-awaited wooden version that boasts far more opportunities for indoor use. The combined warmth of wood, fabric and leather now features on the Fromme chair's minimalist, streamlined design. Countless possibilities for retail and contracting. A well-conceived range of colours (versatile black, sophisticated burgundy, and prestigious


sottsass alpi), materials (wood, fabric, leather), and functions (chair, bar stool, and lounge chair) Can be combined with the original aluminium Fromme for a mix of colours and functions True to the original features that make it ideal for a contract project: stackable and easy to store. Customisable fabric colours with a minimum quantity requirement.


MAIN SPECIFICATIONS

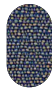
COLOUR EAN REFERENCE

 Black
3701128123097
M0820201

 Brown red
3701128123103
M0820202

 Black Alpi
3701128123110
M0820203

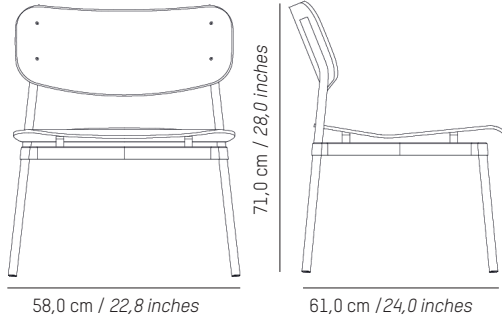
 Black leather
3701128123189
M0820205

 Black Rohi fabric
3701128123172
M0820204

PHYSICAL	MEASURES	Lenght		Seat height	
				51,0 cm / 20,1 inches	
		Width	51,0 cm / 20,1 inches	Height	91,0 cm / 35,8 inches
		Weight	Wood: 4,0 kg / 8,8 lbs	Upholstery: 4,2 kg / 9,3 lbs	
	PARCEL LOGISTICS	Box 1/1	53,0 x 53,0 x 95,0 cm 20,9 x 20,9 x 37,4 inches Wood: 6,0 kg / 13,2 lbs Upholstery: 6,2 kg / 13,6 lbs		

TESTS & CERTIFICATIONS

Certified for collective indoor use in accordance with European standard EN16139 up to 110 kg. Stackable up to 6.



Date		Type	
Project			
Location			
Model#		Quantity	
Specifier			

FROMME WOOD LOUNGE CHAIR

DESIGNER : TOM CHUNG

YEAR : 2023

2 YEARS WARRANTY

MATERIAL: ALUMINIUM, STAINED BEECH WOOD, ALPI VENEER, LEATHER, FABRIC


The Fromme family is growing with a much-awaited wooden version that boasts far more opportunities for indoor use. The combined warmth of wood, fabric and leather now features on the Fromme chair's minimalist, streamlined design.


Countless possibilities for retail and contracting. A well-conceived range of colours (versatile black, sophisticated burgundy, and prestigious


sottsass alpi), materials (wood, fabric, leather), and functions (chair, bar stool, and lounge chair) Can be combined with the original aluminium Fromme for a mix of colours and functions True to the original features that make it ideal for a contract project: stackable and easy to store. Customisable fabric colours with a minimum quantity requirement.


MAIN SPECIFICATIONS


COLOUR EAN REFERENCE

 Black
3701128123127
M0820301

 Brown red
3701128123134
M0820302

 Black Alpi
3701128123141
M0820303

 Black leather
3701128123202
M0820305

 Black Rohi fabric
3701128123196
M0820304

PHYSICAL

MEASURES

Lenght

61,0 cm / 24,0 inches

Seat height

40,0 cm / 15,7 inches

Width

58,0 cm / 22,8 inches

Height

71,0 cm / 28,0 inches

Weight

Wood: 5,3 kg / 11,7 lbs

Upholstery: 5,9 kg / 13,0 lbs

PARCEL LOGISTICS

Box 1/1

64,0 x 59,0 x 75,0 cm

25,2 x 23,2 x 29,5 inches

Wood: 7,6 kg / 16,8 lbs

Upholstery: 8,2 kg / 18,1 lbs

TESTS & CERTIFICATIONS

Certified for collective indoor use in accordance with European standard EN16139 up to 140 kg. Stackable up to 4.